

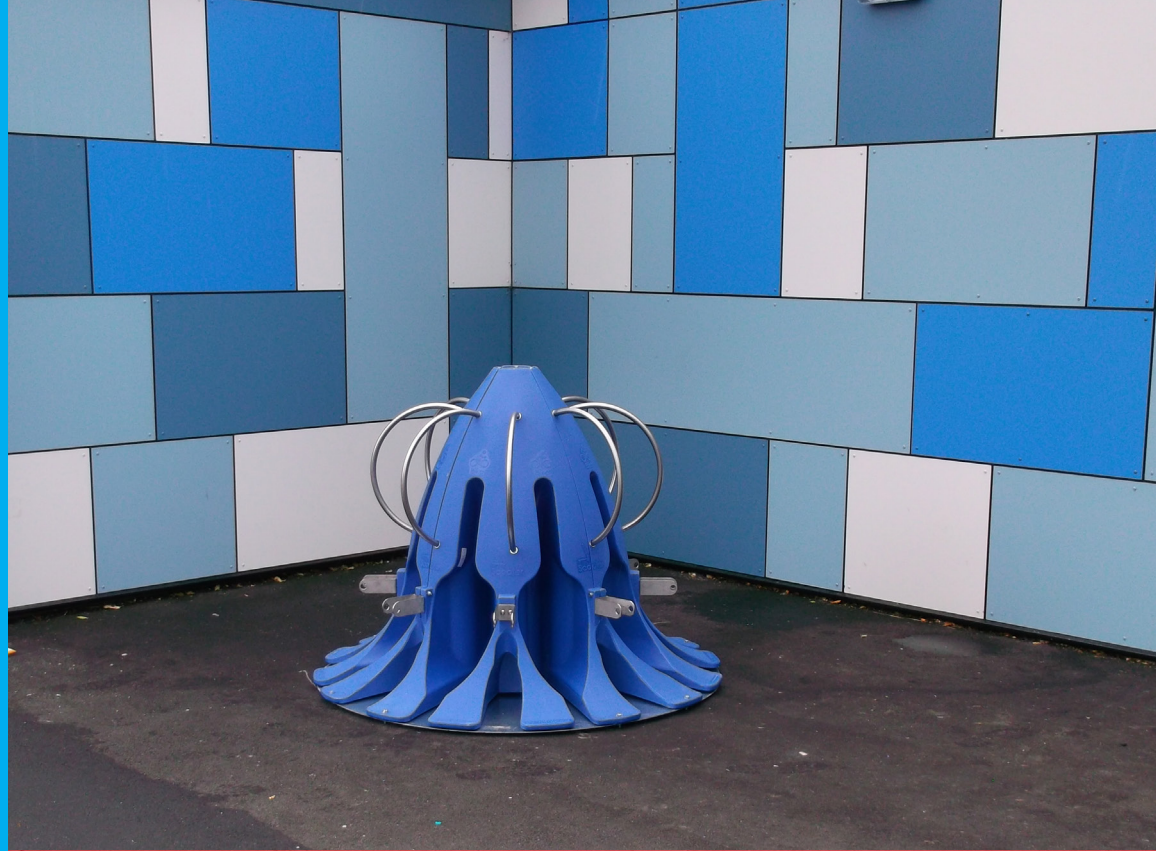
# MINIPOD

The Minipod is a unique product designed to get children cycling. The Minipod is an innovative product which allows 8 bikes and 8 scooters to be secured.

Available in a range of different colours, the Minipod is ideal for primary schools encouraging cycling and the children love them!

There are now over 2500 Minipods installed at schools across the UK!

They can be placed on their own, in halves against a wall or on portable bases and mats!



Product Name: Minipod Quadrant

Material: 100% Recyclable MDPE plastic.  
100% Recyclable and 100% Recycled MDPE plastic (black).

BREEAM: Our Scooterpods have been used successfully within BREEAM schemes throughout the UK.

Panel Thickness: 14 mm. Outer lower rim 20mm high. 60mm channel/track width to cater for 99% of all standard European tyre width's.

Panel Finish: Dimpled effect finish

Panel Weight: 5kg each. Overall weight 75Kg.

Securing Arms Material: Recycled Grade Stainless Steel.

Number of securing arms: 8 Upper arms (for bikes). 8 Scooter securing arms

Securing Arms thickness: 2mm thick walled tube. Scooter securing thickness 5mm.

Top Plate Material: 5mm Stainless steel.

Fixing Method for Securing Arms: Nyloc nut and Washer. All housed internally so no visible fixings.

Fixings Material: All standard Cyclepod fixings are Stainless steel. Ground anchors are nickel plated.

Ground Fixings Required: 16mm outer diameter shield anchor bolts drilled to a depth of 100mm max. 2 fixing bolt required per quadrant.

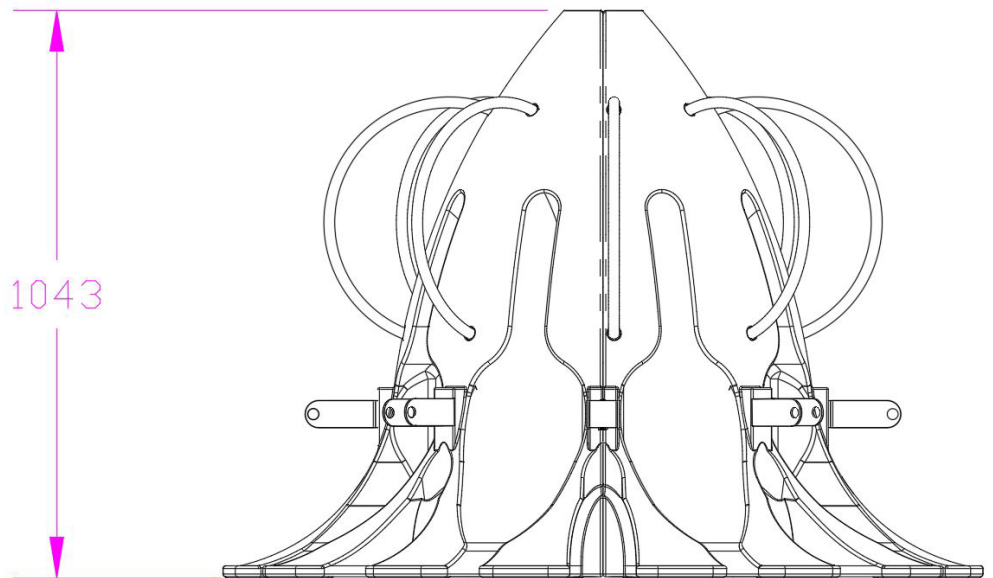
Ground Type Required: Solid level base required. Concrete, large slabs etc.

Optional Items: Canopy, Base, Mats

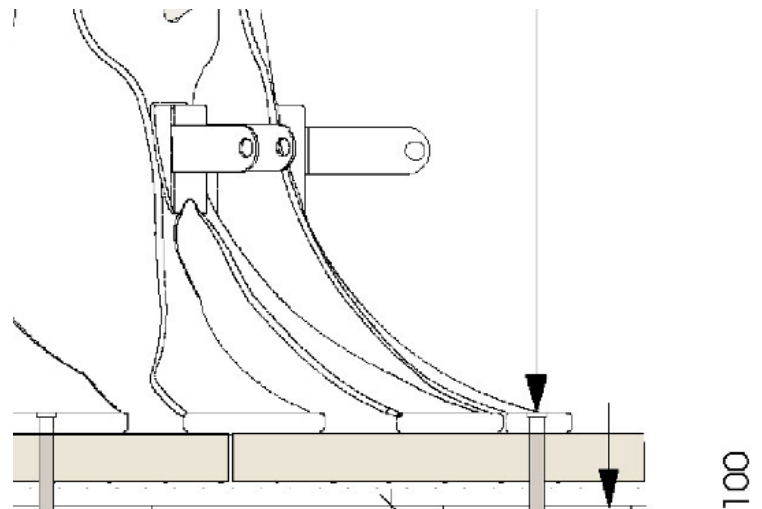
Product Code: MINI001

Colour Options: Black, Red, Yellow, Royal Blue, Light Blue, Dark Green, Light Green, Grey, Stone effect, Multicolour.

## MINIPOD ELEVATION



## MINIPOD FIXING DETAIL



## MINIPOD PLAN

