

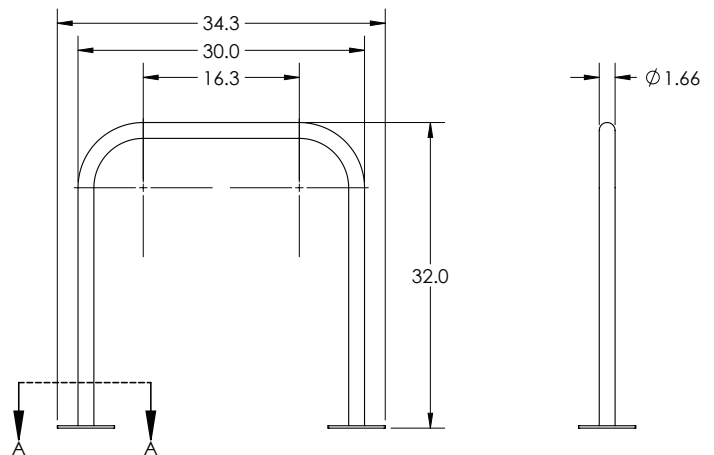


BIKE DOCK

The bike dock is a simple and intuitive design that provides space efficient, high security bike parking. The bike dock accommodates two bikes, supporting them at two points and allowing for u-lock compatibility of both the wheel and bike frame.



6903



6903 Shown

Specifications - 1.66" electrowelded steel tubing, 12 gauge

Model #	# Bikes	Type of mount	weight	length	width	height	Space Requirement
6902	2	below grade	17 lbs.	30"	1.66"	32"	68" x 110"
6903	2	flange mount	19 lbs.	34.3"	6"	32"	68" x 110"

Specifications - 2 3/8" schedule 40 steel pipe, 9 gauge

Model #	# Bikes	Type of mount	weight	length	width	height	Space Requirement
2112	2	below grade	31 lbs.	30"	2.4"	32"	68" x 110"
2113	2	flange mount	30 lbs.	33.6"	6"	32"	68" x 110"

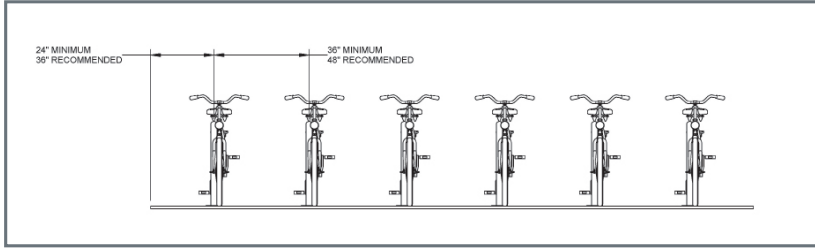
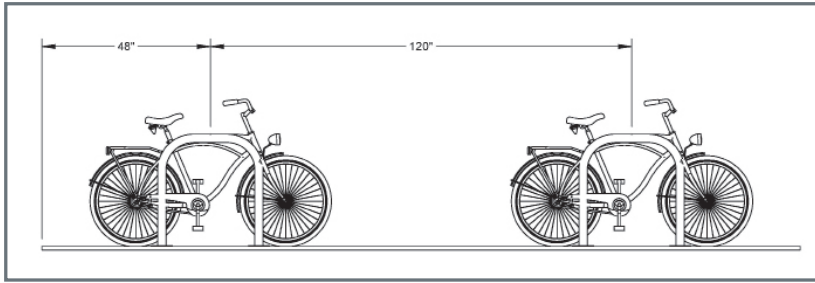
Specifications - 2" X 2" X 3/16" square tubing, 7 gauge

Model #	# Bikes	Type of mount	weight	length	width	height	Space Requirement
2212	2	below grade	38 lbs.	30"	2"	32"	68" x 110"
2213	2	flange mount	34 lbs.	34"	6"	32"	68" x 110"

Note: Saris Parking Systems representatives can assist with custom layout and spacing to meet your room dimensions and desired bike capacity.

Bike Dock

Recommended Spacing



Product Details

- 1.66", 12 gauge schedule 40 pipe -- most affordable solution
- 2 3/8", 9 gauge schedule 40 pipe -- larger diameter pipe leaves less space between the lock and rack, which provides better security
- 2" square, 7 gauge schedule 40 pipe -- square tubing resists efforts from thieves using pipe cutters
- Offers 2 points of contact for bike stability
- Meets APBP guidelines



Product Information



of Bikes



Materials



Finish



Hardware



Spacing

Saris Bike Dock as manufactured by Saris

2 bikes per rack

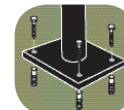
1.66", 12 gauge
2 3/8" 9 gauge
2" Square, 7 gauge

Powder Coat
Galvanized
Stainless Steel
Thermoplastic

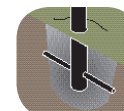
Flange Mount recommended anchor:
Temporary Mount: #6263
Permanent Mount: #6260

48" recommended between perpendicular racks
120" recommended between racks (center to center)

Anchors must be purchased separately



Flange Mount

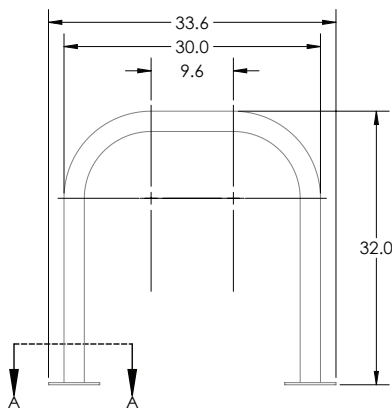


Below Grade Mount

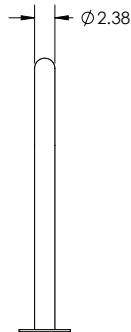


Standard Colors

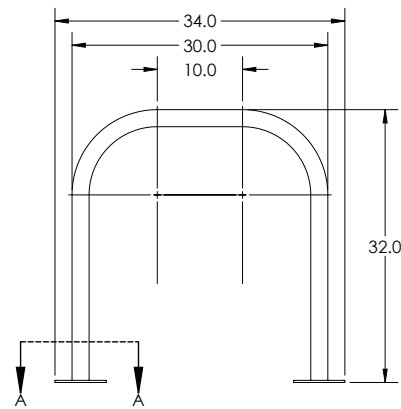
2113



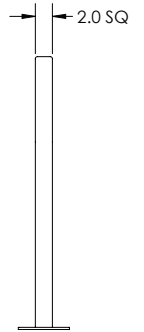
2113 Shown



2213



2213 Shown



Downloadable product resources available online:



CAD Files



SketchUp Files



Written Specs



Photos